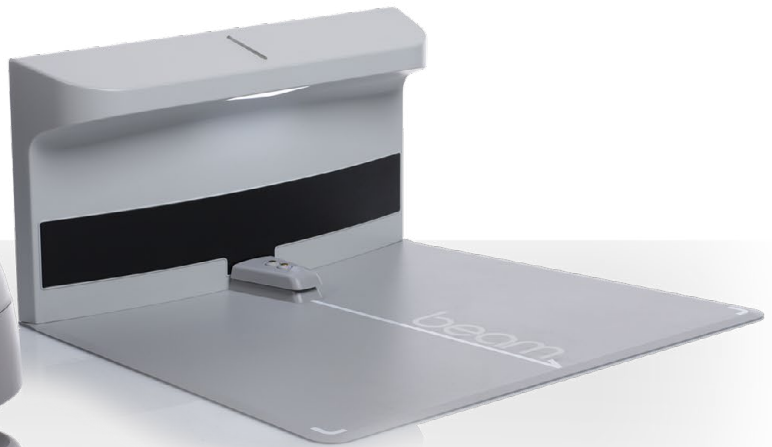




beam^{pro}TM
be thereTM.





Why Use Beam Smart Presence™?

BeamPro™ is the premier Smart Presence™ System. Going beyond traditional video conferencing products, Beam removes the constraints of a screen by coupling high-end video and audio with the freedom of mobility. This combination provides a rich experience that connects people in ways no other tool can offer.



Complete Awareness

Two wide-angle cameras, and a custom microphone array, immerse users in his or her remote environment.



Stay Connected

Join your team anytime from anywhere, no appointments needed.



Total Independence

Break free from the conference room wall. Face-to-face interaction happens everywhere; be part of it.



Expand Your Reach

Welcome distant clients, employees and teammates to your workplace effortlessly.



Interact Effectively

Enjoy true face to face conversation that is clear, crisp, and natural.

What's included in The BeamPro System?



The BeamPro Smart Presence™ System (SPS)

The SPS is a communication tool remotely* controlled by a person who wishes to explore and interact with a distant location.

*Requires 802.11 a/b/g/n 2.4GHz or 5GHz WiFi network (5Ghz Recommended) or 4G LTE for connectivity. For more information see our [Beam® Requirements Guide](#)

- Dimensions: 62 inches high, 15 inches wide, and 25 inches deep
- Two wide-angle video cameras enable a field of view of 105 degrees, with 3X digital zoom, and 480P video quality
- Custom echo-canceling microphone array with adaptive noise reduction and full duplex audio for various environments
- 17 inch (4:3) LCD Display
- Powerful direct-drive motor capable of traversing ADA compliant ramps.
- Front loud speaker capable of producing sounds up to 90 dB
- Two dual-frequency 802.11 a/b/g/n wireless radios



The BeamPro Dock

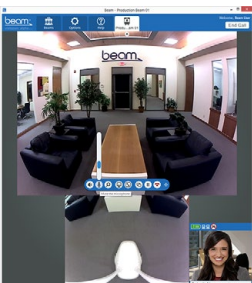
The Dock is where the SPS charges between uses. It's powered by a standard 120V outlet. The SPS, once near, will recognize the dock, where our assisted docking system helps you quickly return the Beam for charging.



The Beam App

A personal computer or laptop is required to access and control the SPS. Drive a BeamPro from anywhere an Internet connection is available.

Software requires Windows 7 (or higher) or OS X 10.7 (or higher) for use. A wired internet connection is highly recommended.





How do I get one?

Contact Our Sales Team:

408.420.0136

Erick@3drealtycv.com

Visit Us Online:

www.rentatelerobot.com

BeamPro

Physical Specifications

Below are the BeamPro device specifications including height and weight. Click [here](/component/content/18-products/beam-pro?layout=blog&Itemid=113) for a complete list of technical specifications (/component/content/18-products/beam-pro?layout=blog&Itemid=113).

BeamPro

Height: 62.5in (158.7cm)

Width: 20in (50.8cm)

Depth: 26in (66cm)

Weight: 90lb (40.8kg)

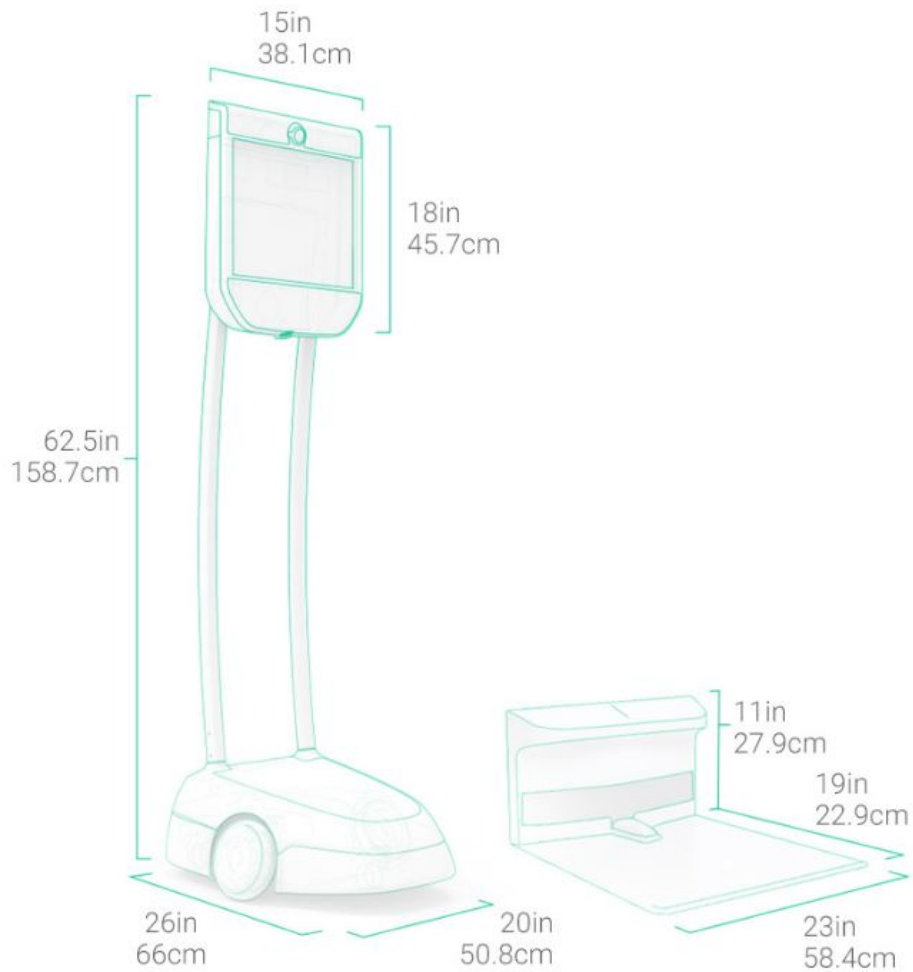
BeamPro Dock

Height: 11in (27.9cm)

Width: 23in (58.4cm)

Depth: 19in (48.3cm)

Weight: 12.8lb (5.806kg)



For additional information, email our Customer Success Department at Erick@3DRESV.COM WWW.TELEBOTIN.COM

contact 408.420.0136 <mailto:Erick@3DRESV.COM>

US RE-SELLER / RENTALS

[Subscribe to our Newsletter \(/subscribe-to-our-newsletter\)](#)

<https://twitter.com/GobeRobots> <https://www.facebook.com/goberobots/>

<https://www.linkedin.com/company/gobe-robots/> <https://www.instagram.com/goberobots/>

<https://www.instagram.com/goberobots/>

Copyright © 2020 Blue Ocean Robotics.

